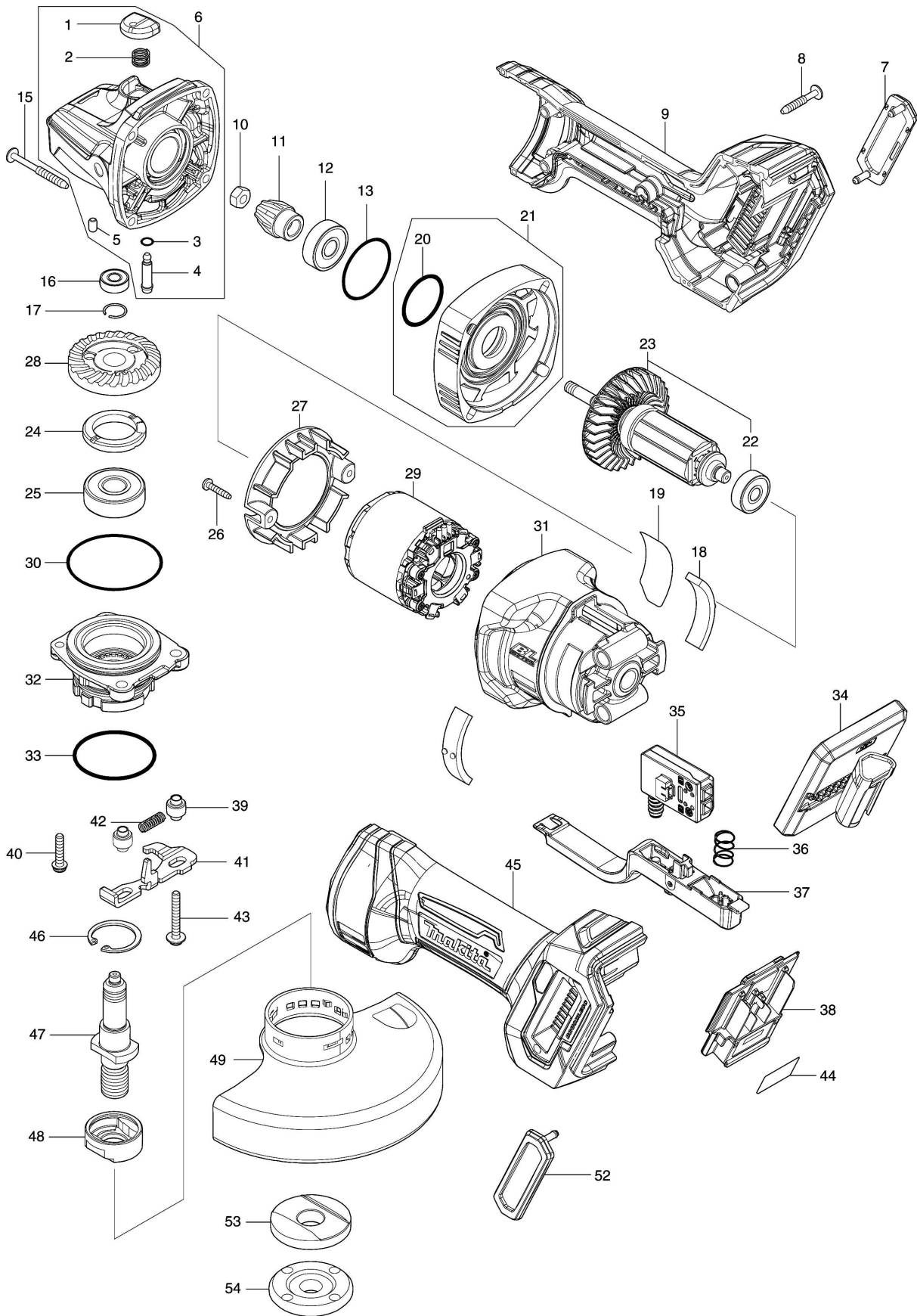


Model No.GA050G 125MM CORDLESS ANGLE GRINDER



Model No.GA050G 125MM CORDLESS ANGLE GRINDER

| Položka | Číslo dílu | Popis | Změna | Množství | New/Old | Možnost 1 | Možnost 2 | Poznámka |
|---------|------------|--------------------------|-------|----------|---------|-----------|-----------|----------|
| 001 | 412234-7 | PIN CAP | | 1 | | | | |
| 002 | 233072-2 | COMPRESSION SPRING 8 | | 1 | | | | |
| 003 | 213960-9 | O RING 5 | | 1 | | | | |
| 004 | 256546-6 | SHOULDER PIN 4 | | 1 | | | | |
| 005 | 263002-9 | RUBBER PIN 4 | | 1 | | | | |
| 006 | 136986-3 | GEAR HOUSING ASSEMBLY | | 1 | | | | |
| D10 | | INC. 1-5 | | | | | | |
| 007 | 422A12-3 | DUST COVER | | 1 | | | | |
| 008 | 265999-8 | TAPPING SCREW 4X25 | | 5 | | | | |
| 009 | 183Y56-9 | HANDLE SET | | 1 | | | | |
| C10 | 263005-3 | RUBBER PIN 6 | | 2 | | | | |
| C20 | 422A11-5 | CUSHION RING | | 4 | | | | |
| D10 | | INC. 7,45,52 | | | | | | |
| 010 | 252186-8 | HEX. NUT M6 | | 1 | | | | |
| 011 | 226976-5 | SPIRAL BEVEL GEAR 10 | | 1 | | | | |
| 012 | 210042-8 | BALL BEARING 629LLB | | 1 | | | | |
| 013 | 213A32-6 | O-RING 32 | | 1 | | | | |
| 015 | 266048-4 | TAPPING SCREW 4X40 | | 4 | | | | |
| 016 | 210033-9 | BALL BEARING 696ZZ | | 1 | | | | |
| 017 | 233950-6 | RING SPRING 11 | | 1 | | | | |
| 018 | 422A10-7 | FRONT CUSHION | | 2 | | | | |
| 019 | 8589L6-8 | GA050G NAME PLATE | | 1 | | | | |
| 020 | 213445-5 | O-RING 26 | | 1 | | | | |
| 021 | 136989-7 | GEAR HOUSING COVER ASS'Y | | 1 | | | | |
| D10 | | INC. 20 | | | | | | |
| 022 | 210023-2 | BALL BEARING 627DDW | | 1 | | | | |
| 023 | 519810-9 | ROTOR ASSEMBLY | | 1 | | | | |
| D10 | | INC. 22 | | | | | | |
| 024 | 285039-6 | BEARING RETAINER 23-33 | | 1 | | | | |
| 025 | 211137-0 | BALL BEARING 6201LLU | | 1 | | | | |
| 026 | 266429-2 | TAPPING SCREW 3X16 | | 2 | | | | |
| 027 | 413P41-7 | BAFFLE PLATE | | 1 | | | | |
| 028 | 227A65-5 | SPIRAL BEVEL GEAR 37 | | 1 | | | | |
| 029 | 629C11-0 | STATOR | | 1 | | | | |
| 030 | 213622-9 | O RING 45 | | 1 | | | | |
| 031 | 1830B1-8 | MOTOR HOUSING SET | | 1 | | | | |
| D10 | | INC. 18 | | | | | | |
| 032 | 141N73-9 | BEARING BOX COMPLETE | | 1 | | | | |
| 033 | 213789-3 | O-RING 38 | | 1 | | | | |
| 034 | 620L32-9 | CONTROLLER | | 1 | | | | |
| 035 | 651083-9 | SWITCH C3XA-1PSPM | | 1 | | | | |
| 036 | 233263-5 | COMPRESSION SPRING 9 | | 1 | | | | |
| 037 | 141N71-3 | SWITCH LEVER COMPLETE | | 1 | | | | |
| 038 | 632P65-6 | TERMINAL UNIT | | 1 | | | | |

Please order the parts with part number.

Print Date 27/7/2023

Model No.GA050G 125MM CORDLESS ANGLE GRINDER

| Položka | Číslo dílu | Popis | Změna | Množství | New/Old | Možnost 1 | Možnost 2 | Poznámka |
|---------|------------|-----------------------------------|-------|----------|---------|--------------|--------------|----------|
| 039 | 327322-6 | SLEEVE 4 | | 2 | | | | |
| 040 | 911138-5 | P.H.SCREW M4X20 WITH WR | | 2 | | | | |
| 041 | 347803-4 | LEVER | | 1 | | | | |
| 042 | 232490-1 | COMPRESSION SPRING 4 | | 1 | | | | |
| 043 | 911159-7 | PAN HEAD SCREW M4X30 | | 2 | | | | |
| 044 | 8589M1-5 | GA050G SERIAL NO.LABEL | | 1 | | | | |
| 045 | 183Y56-9 | HANDLE SET | | 1 | | | | |
| C10 | 263005-3 | RUBBER PIN 6 | | 2 | | | | |
| C20 | 422A11-5 | CUSHION RING | | 4 | | | | |
| D10 | | INC. 7,9,52 | | | | | | |
| 046 | 962105-3 | RETAINING RING R-26 | | 1 | | | | |
| 047 | 326672-6 | SPINDLE | | 1 | | | | |
| 048 | 310514-4 | LEAD FLANGE | | 1 | | | | |
| 049 | 141P46-4 | WHEEL COVER 125 COMPLETE | | 1 | | | | |
| C10 | 8050A1-8 | CAUTION LABEL | | 1 | | | | |
| 052 | 422A12-3 | DUST COVER | | 1 | | | | |
| 053 | 224447-6 | INNER FLANGE 42B | | 1 | | | | |
| 054 | 224485-8 | LOCK NUT 14-45 | | 1 | | | | |
| A01 | A-80656 | GRINDING WHEEL 125 WA36N | | 1 | | | | |
| A02 | 199710-5 | CUTTING W.C.A. 125 SET | | 1 | | | | |
| A03 | 162258-0 | VIBRATION PROOF GRIP | | 1 | | | | |
| A04 | 782423-1 | LOCK NUT WRENCH 35 | | 1 | | | | |
| A05B | 412393-7 | BATTERY COVER | | 1 | | | | |
| A06B | ***DC40RA | DC40RA FAST CHARGER | | 1 | | | | |
| D10 | | COMPO-PARTS | | | | | | |
| A07B | 191L47-8 | BATTERY BL4050F SET | | 1 | | | | |
| A08B | 821550-0 | CONNECTOR PLASTIC CASE (TYPE2) | | 2 | | | | |
| C10 | 453974-8 | LATCH | | 4 | | | | |
| A09B | 835X86-7 | INNER TRAY | | 1 | | | | |
| A10B | 8357T0-1 | INNER TRAY | | 1 | | | | |

Please order the parts with part number.

Print Date 27/7/2023